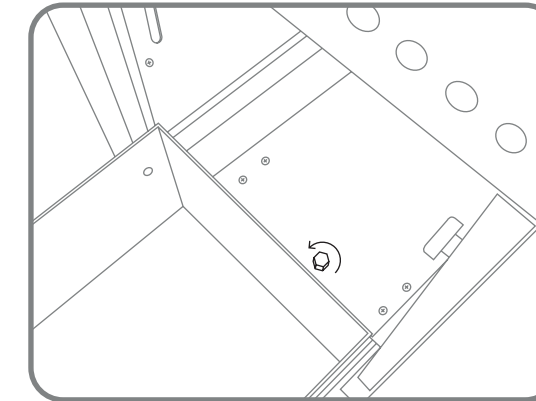


www.fuegoliving.com

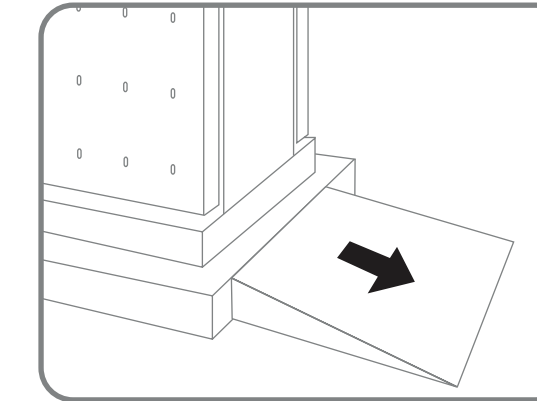
QUICK SET-UP

1.888.88.FUEGO
rev. no. 08.08

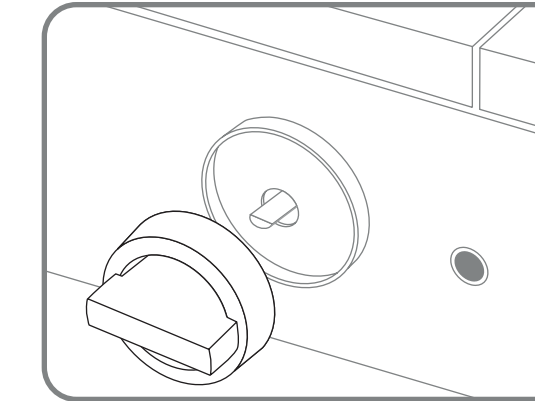
FUEGO O2 ELECTRIC



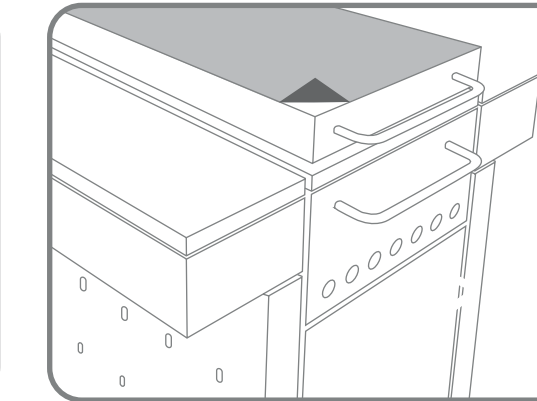
1 Remove bolt securing Fuego O2 grill to shipping pallet (using 12mm socket). One under bottom drawer.



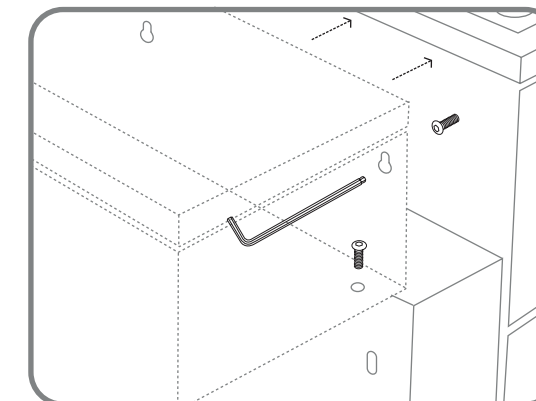
2 On a level surface lower ramp and roll grill down from the pallet.



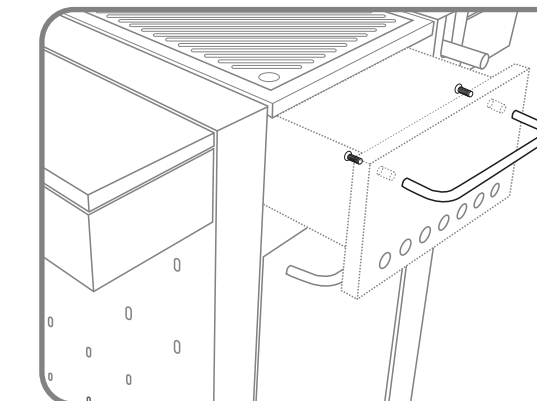
5 Attach control knob.



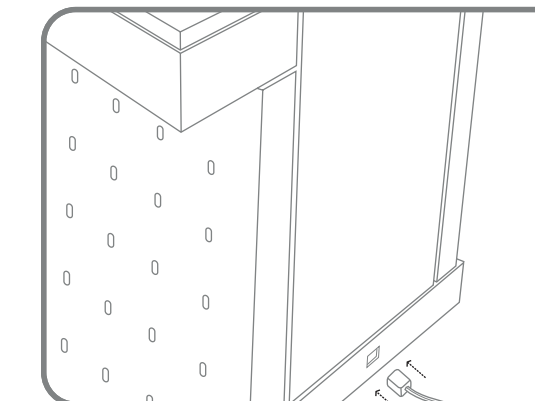
6 Lift retractable lid and remove all protective film.



3 Fasten the five hex screws provided. Fit side wing to grill through key holes and tighten with wrench provided.



4 Using a magnetic screwdriver, attach handles to drawers.



7 Plug in cord.

NOTE: This is intended as a quick reference piece. For complete installation information, refer to the user manual.