

FUEGO 02
ELECTRIC



While we're intent on taking great design to the top, we're more than happy to stop on every floor along the way.

Revolutionizing Urban Outdoor Living

With a modernist design aesthetic hot enough to sizzle imaginations along with two-inch thick steaks, Fuego 02 Electric takes high-rise grilling to a whole new level. Ideal for balconies and other outdoor spaces where open flames aren't an option, this all-electric grill is compact enough to tuck out of the way yet eye-catching enough to make a big statement. Add technological innovations, exceptional materials, unparalleled heating gusto and the kind of styling that gives million-dollar views a run for their money, and what you get is an inspired rethink of outdoor living.



Fuego 02 Electric: The Heat is On

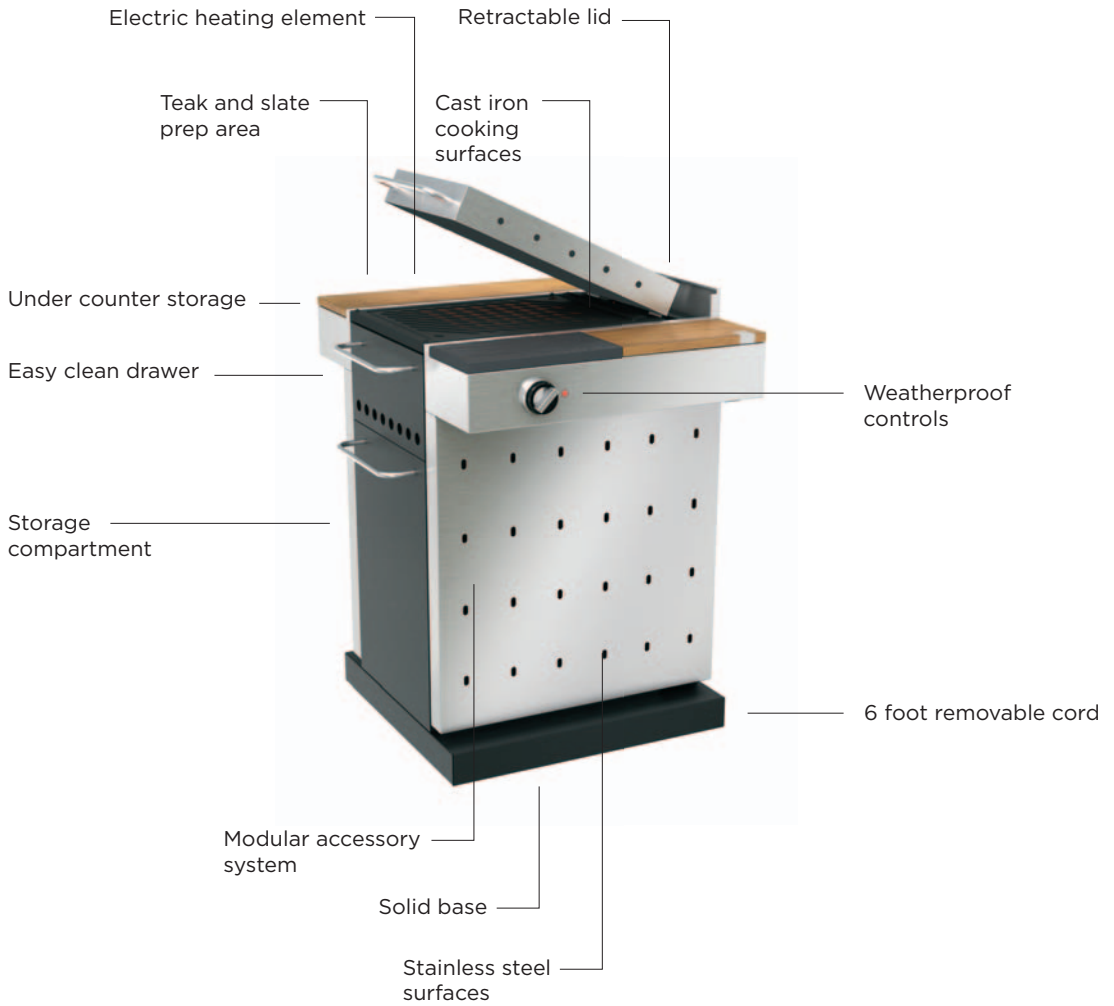
Seasoned with enough bells and whistles to send conventional electric grills running for cover, Fuego 02 Electric takes modernism to the top. Teak and slate countertops with hidden storage areas. A removable cord for trip-free walking. A streamlined retractable lid. A convenient modular accessory system. They're all here and more.



Front

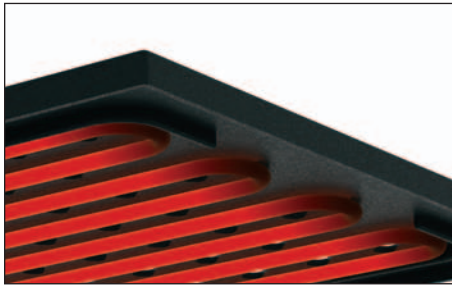


Top



Up Close

Take a close look at what makes Fuego O2 Electric a grill without equal.



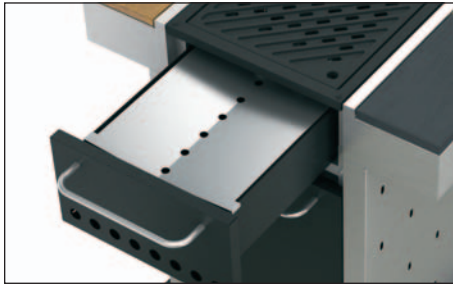
Custom Electric Element

In direct contact with the cast iron grill grate, our custom electric element provides maximum heat conductivity while eliminating grease flare-ups. A reflector plate located under the element radiates heat back to the grill surface to ensure the highest cooking intensity, providing both radiant and conductive heat.



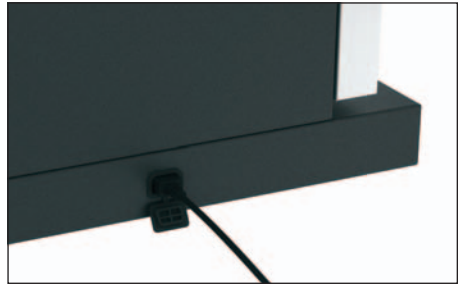
Cast Iron Grill Grate

Fuego O2 Electric is powerful enough to reach, maintain and evenly distribute temperatures of up to 700° F due in large part to the optimal heat retention characteristics of cast iron. The retractable lid aids in preheating the grill surface and can be used during cooking to maximize heat.



Easy Clean Drawer

Clean up is a breeze with our discrete, removable drawer and stainless steel and dishwasher safe residue tray, which slide in and out in a blink.



Removable Power Cord

The Fuego O2 Electric has a removable and weather proof power cord, which can be easily stored in one of its compartments when not in use.

Fuego 02 Electric: Scaled to Size

No matter how tight your quarters, chances are you'll have space for this architectural reinvention of the electric grill.

Features

- Fully retractable weather lid
- Slate and teak countertops with hidden storage
- Modular accessory system
- Sliding storage drawer
- Built-in residue tray
- Cast iron, enamel coated grates
- Easy clean removable drawer
- 6 foot removable cord
- Built-in wheels for easy mobility
- Flat plate*
- Large cooking lid*
- Outdoor cover*

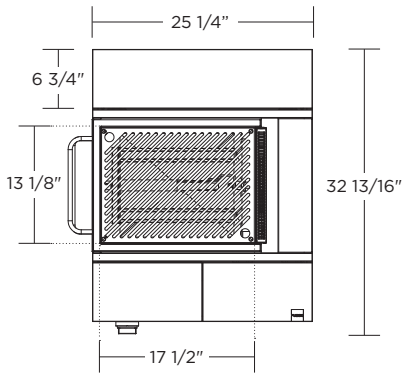
Burner

- Electric heating element
- Power rated 1650W
- Voltage rated 120V, 60HZ
- Amps 13.75

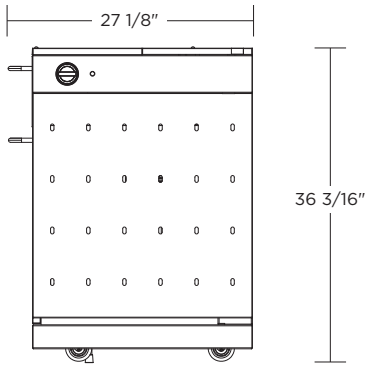
Temperature Range

- Low/high 150—700 ° F

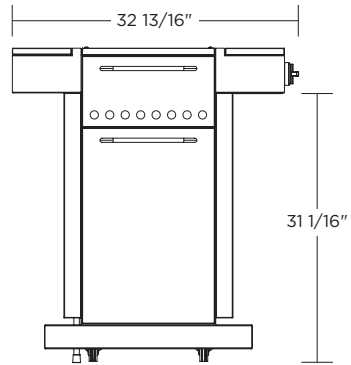
*Sold as accessory



Top



Front



Side

Specifications are subject to change without notice. Please call 888.88.FUEGO or check our website at www.fuegoliving.com for potential specification updates.

Fuego O2 Electric Modular Accessory System

To spare you from having to dash into the kitchen at inopportune times—say, you’re in the middle of a mojito—all Fuegos come with optional accessories that peg onto stainless steel side panels, keeping cooking essentials close at hand.



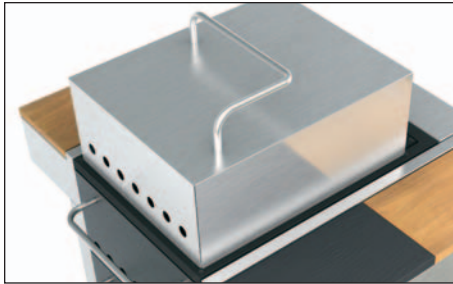
Spice/Accessory Jars and Rack

Adding a pinch of this and a sprinkle of that is easy with jars that can be filled with herbs, spices or other culinary must-haves.



Paper Towel Holder

Wipe up mishaps in a flash with quick-to-reach paper towels.



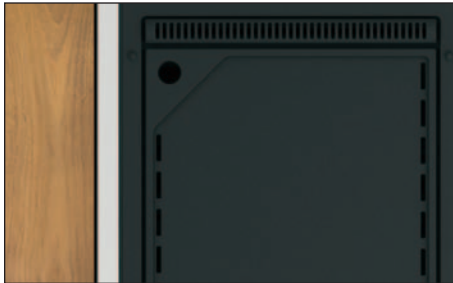
Large Cooking Lid

A 7-inch cooking lid is available for chefs who prefer to do their grilling undercover.



Beverage Bucket

While some may say that a beverage bucket is not a grilling essential, our experience strongly suggests otherwise.



Flat Plate

An enamel-coated, cast iron griddle lets the grill top do double-duty as a cook top.



Ceramic Tray Set

Two sturdy ceramic trays are just the place to hold everything from kabobs to utensils.



To say we're plugged into the world of high design is true in oh-so many ways.



www.fuegoliving.com

FUEGO North America
Roundhouse One
1500 Sansome Street, #100
San Francisco, CA 94111
1.888.88.FUEGO