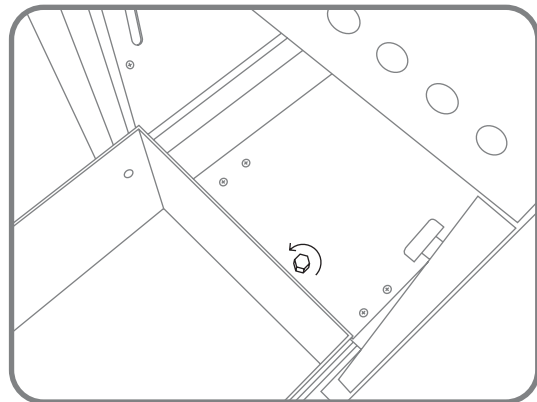


www.fuegoliving.com

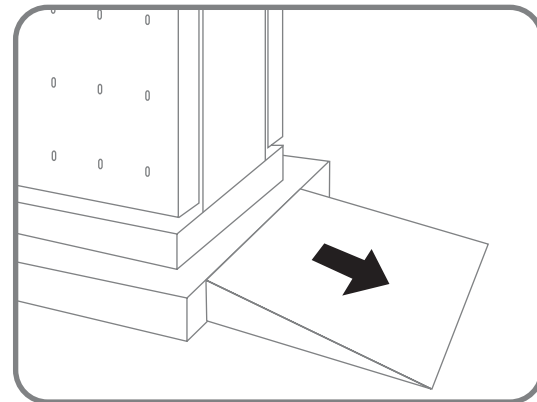
QUICK SET-UP

1.888.88.FUEGO
rev. no. 02.07.01.001

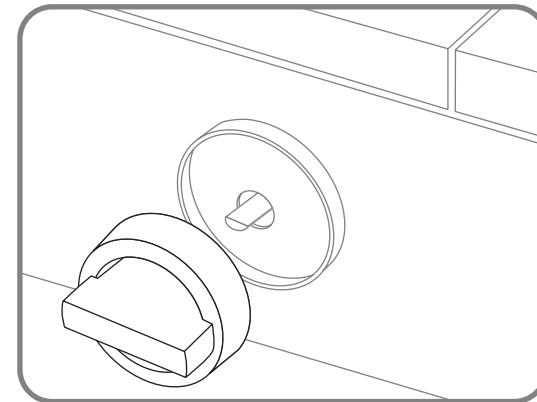
FUEGO 01



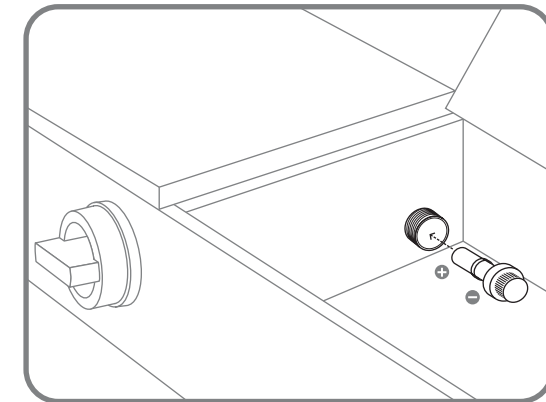
1 Remove bolts securing Fuego 01 grill to shipping pallet (using 12mm socket). One on each side under bottom drawer.



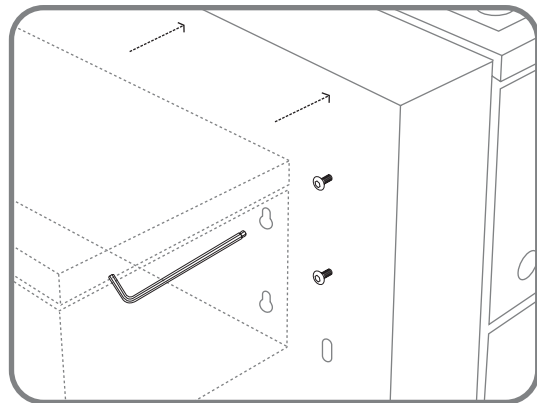
2 On a level surface lower ramp and roll grill down from the pallet.



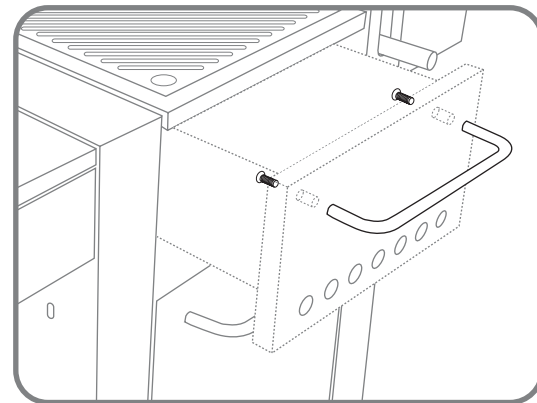
5 Attach control knobs.



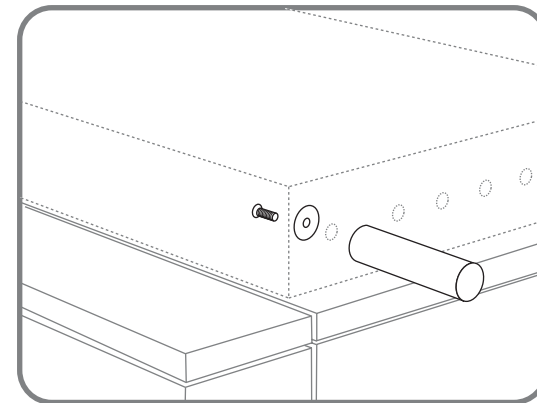
6 Insert negative end of battery securely into spring. Install battery in wing compartment next to control knobs.



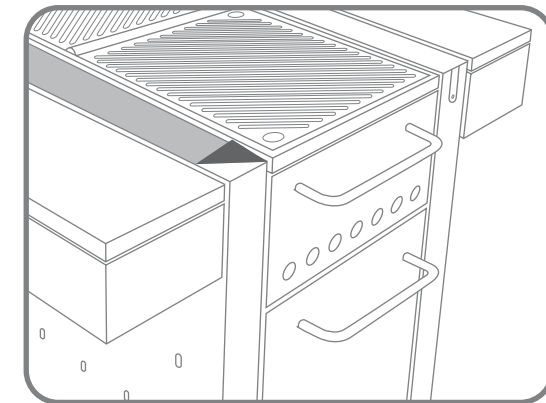
3 Fasten the four hex screws provided. Fit side wing to grill through key holes and tighten with wrench provided.



4 Using a magnetic screwdriver, attach handles to drawers. Two handles on each side. Two screws per handle.



7 Attach handles to retractable lid. One at each end.



8 Remove all protective film.

NOTE: This is intended as a quick reference piece. For complete installation information, refer to the user manual.