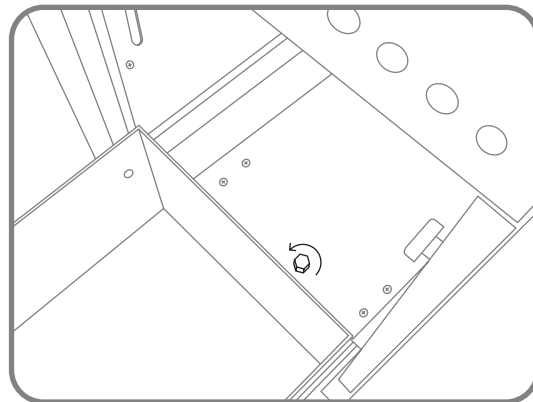


www.fuegoliving.com

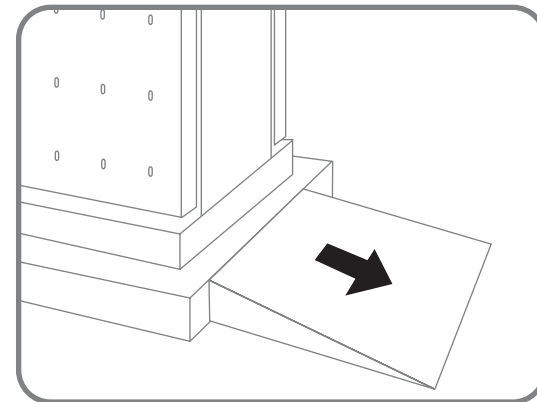
QUICK SET-UP

1.888.88.FUEGO
rev. no. MAY07.0101

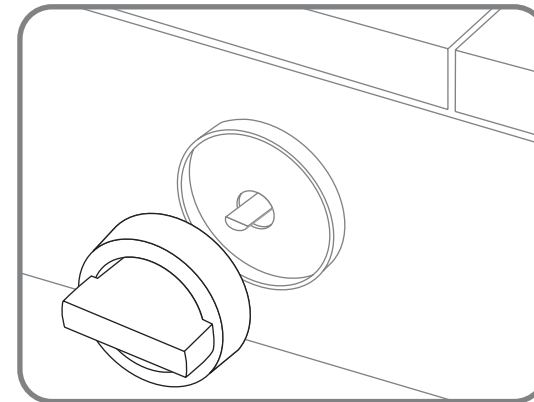
FUEGO 02



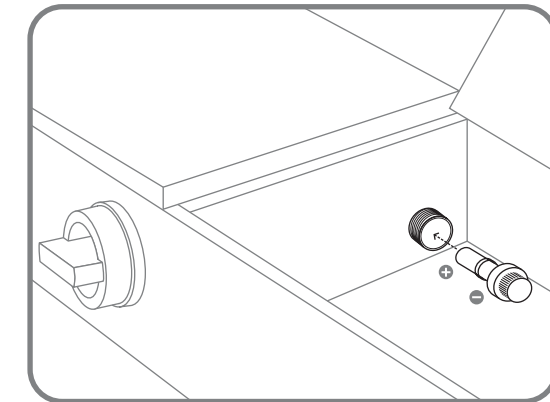
1 Remove bolt securing Fuego 02 grill to shipping pallet (using 12mm socket). One under bottom drawer.



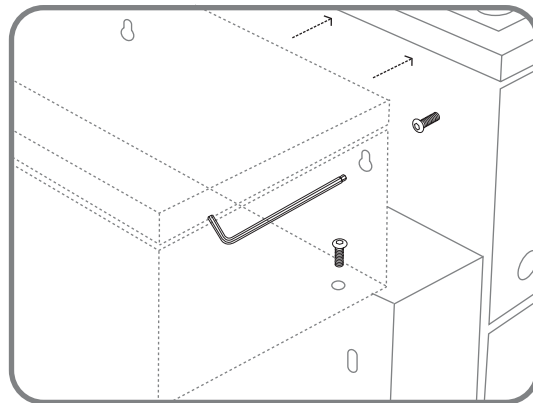
2 On a level surface lower ramp and roll grill down from the pallet.



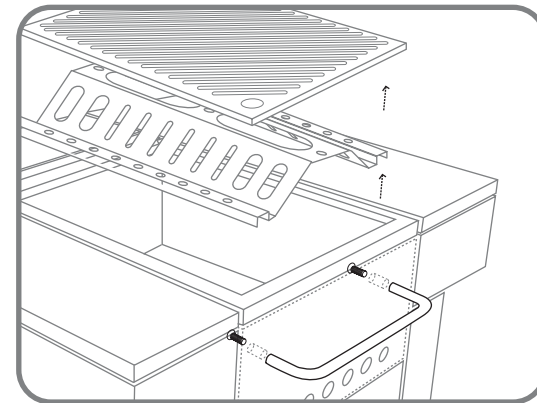
5 Attach control knobs. Install starter knob on left hand side.



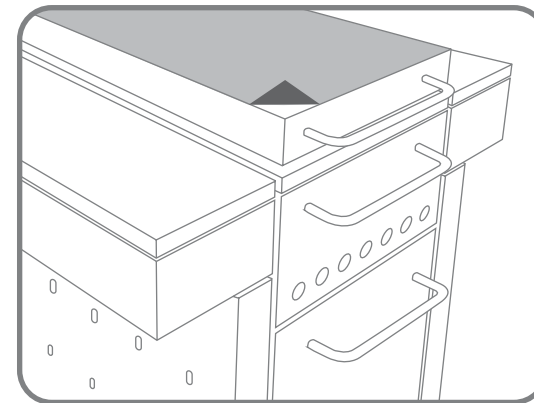
6 Insert negative end of battery securely into spring. Install battery in wing compartment next to control knobs.



3 Fasten the five hex screws provided. Fit side wing to grill through key holes and tighten with wrench provided.



4 Using a magnetic screwdriver, attach handles to drawers. Lift grill and heat diffuser panel to reach the screw holes.



7 Lift retractable lid and remove all protective film.

NOTE: This is intended as a quick reference piece. For complete installation information, refer to the user manual.