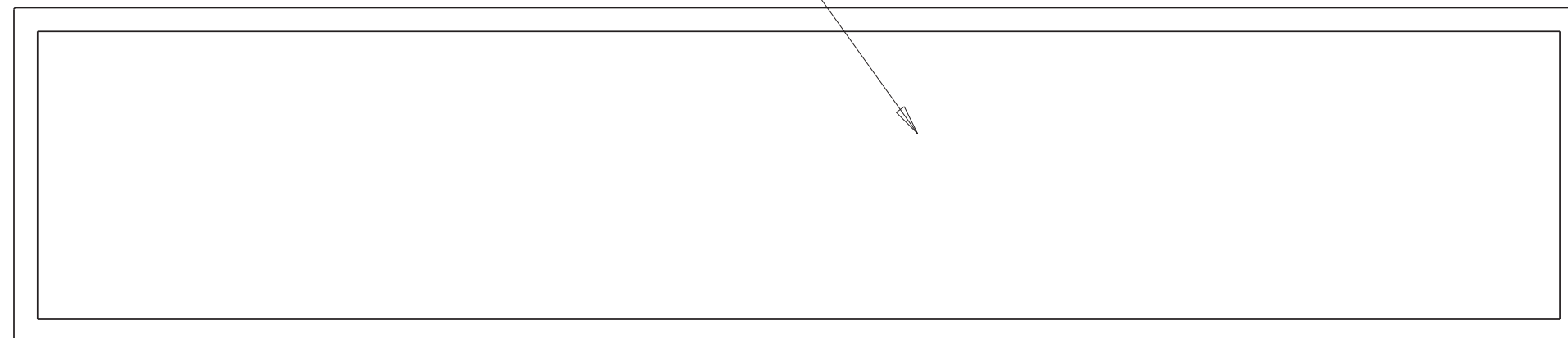
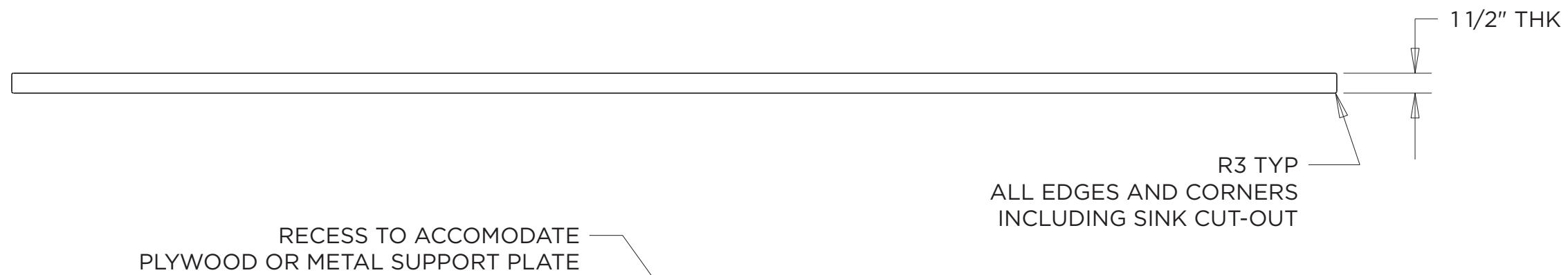
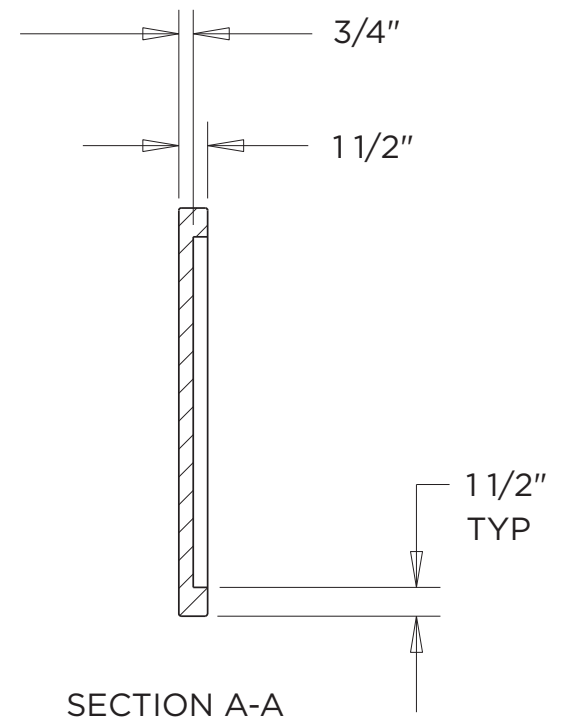
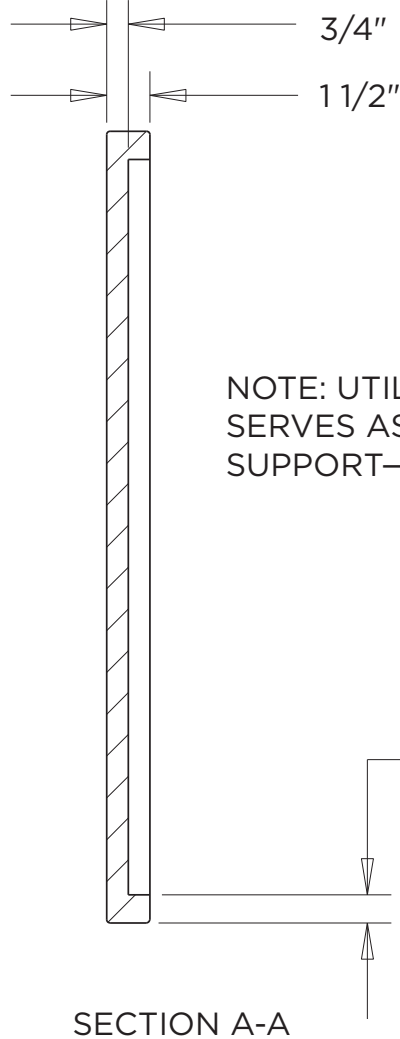


DINING UNIT TOP

NOTE: THIS DIMENSION MAY VARY DEPENDING ON MATERIAL.
RECESS SHOULD ALWAYS BE THE SAME TO ACCOMODATE 3/4" PLYWOOD.



UTILITY UNIT TOP



NOTE: UTILITY UNIT FRAME SERVES AS COUNTERTOP SUPPORT—NO NEED FOR PLYWOOD.

